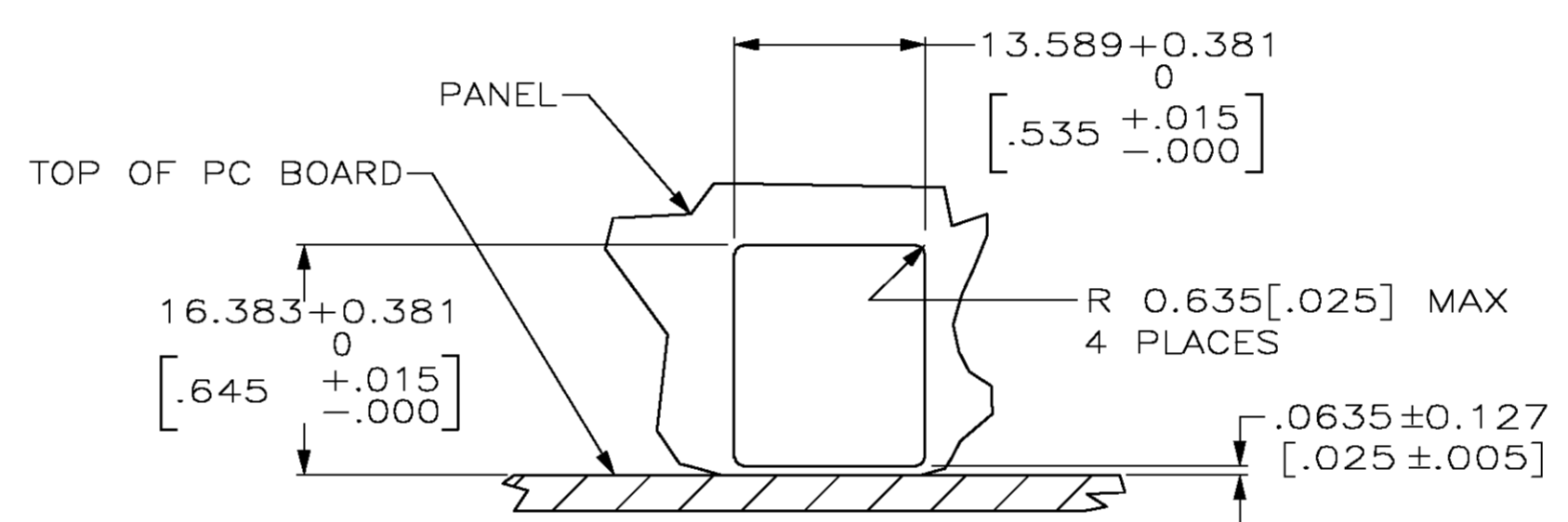
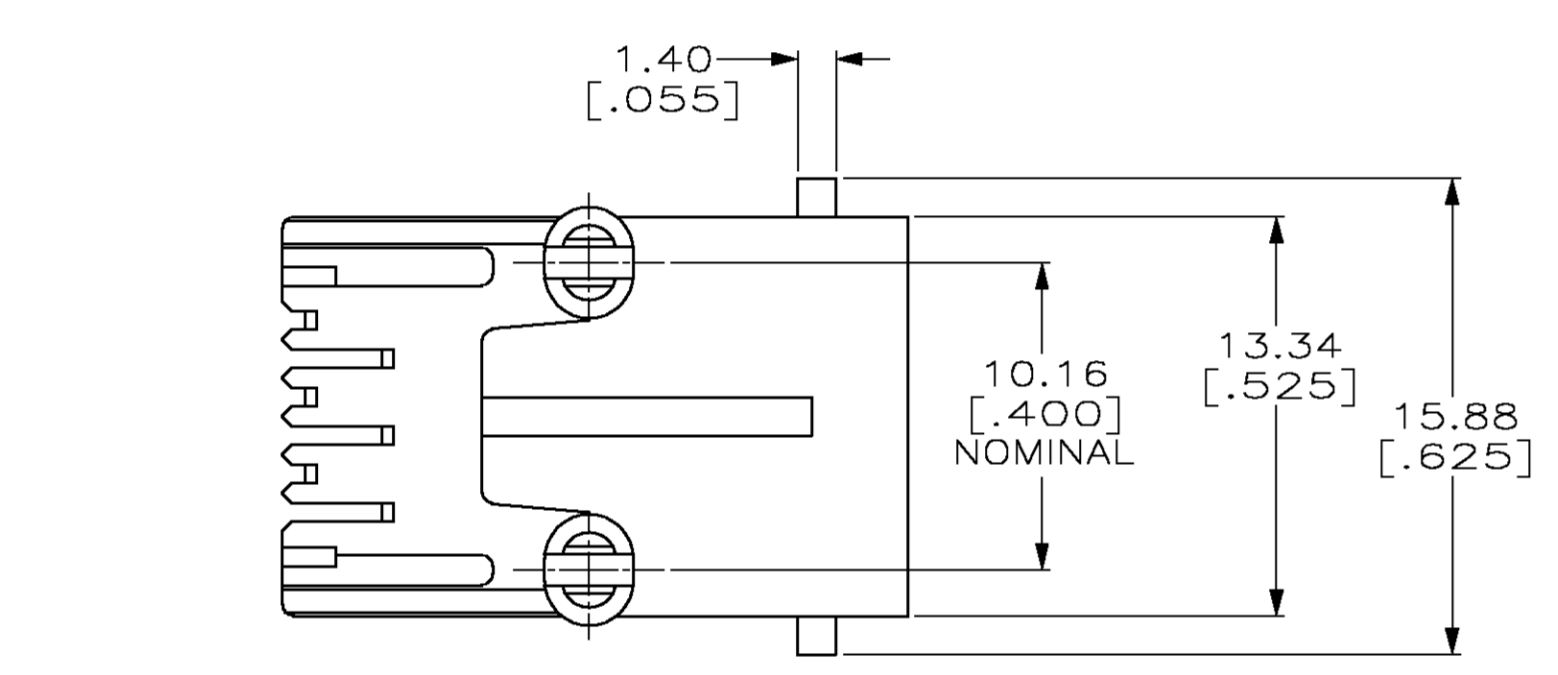
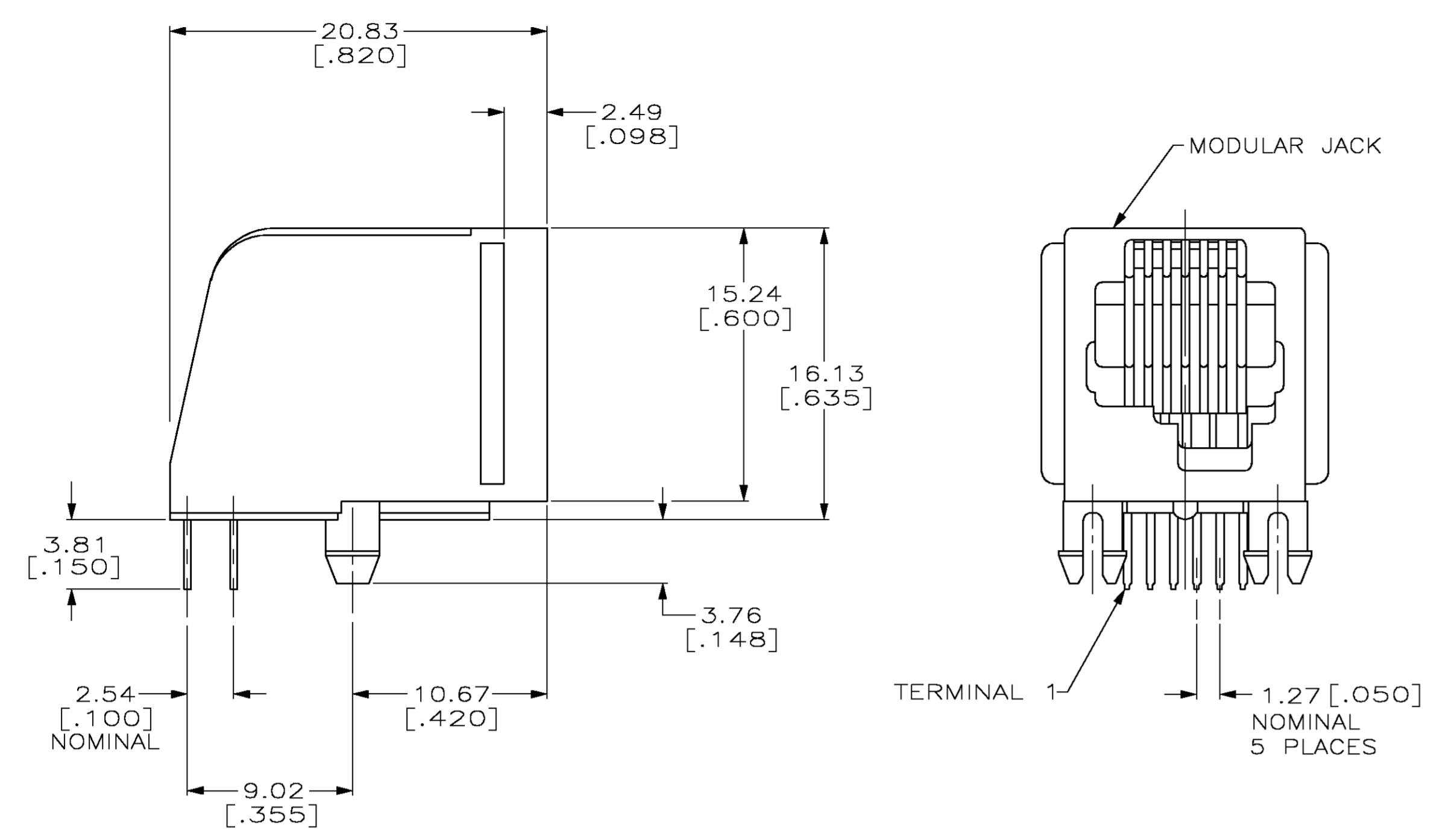
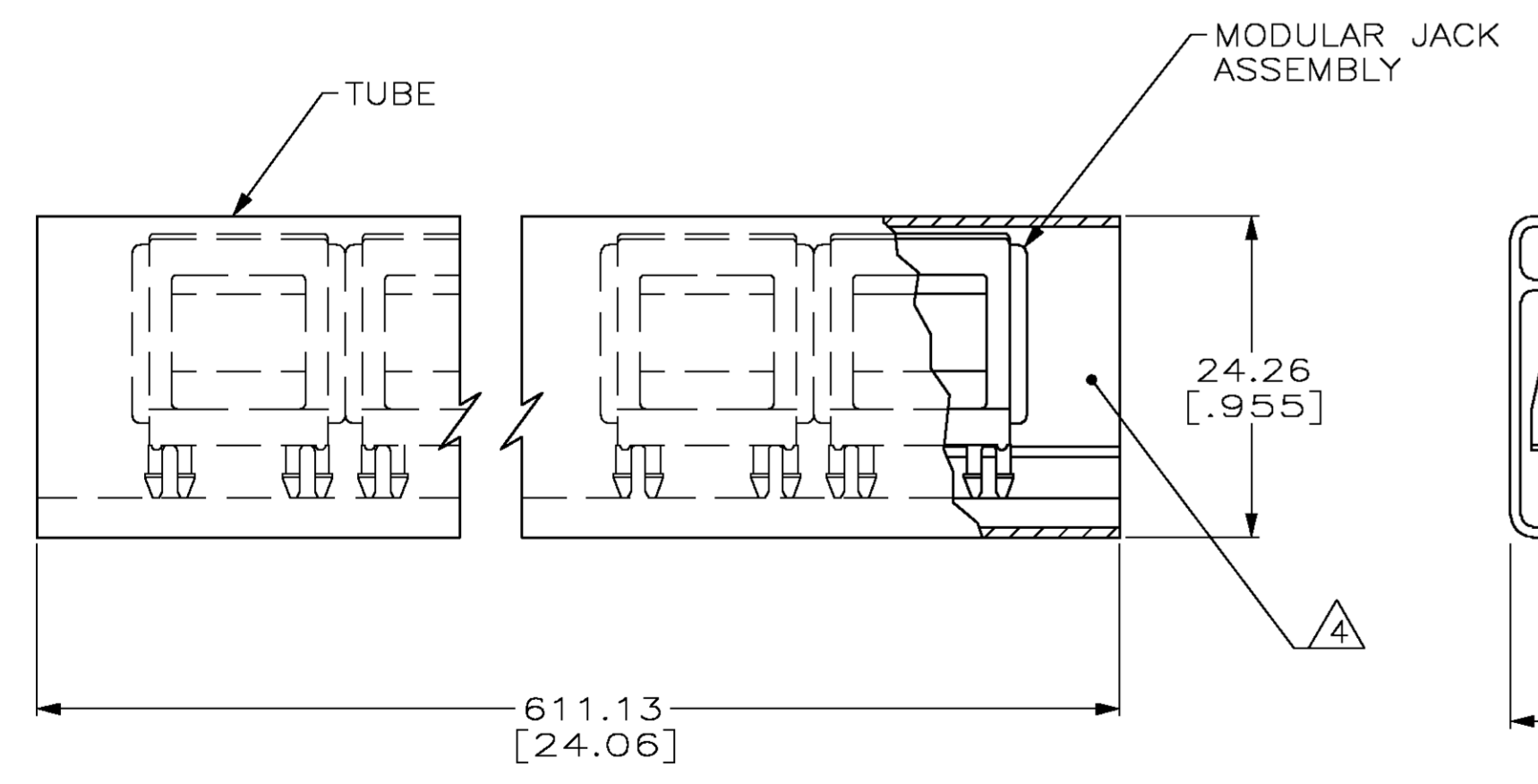


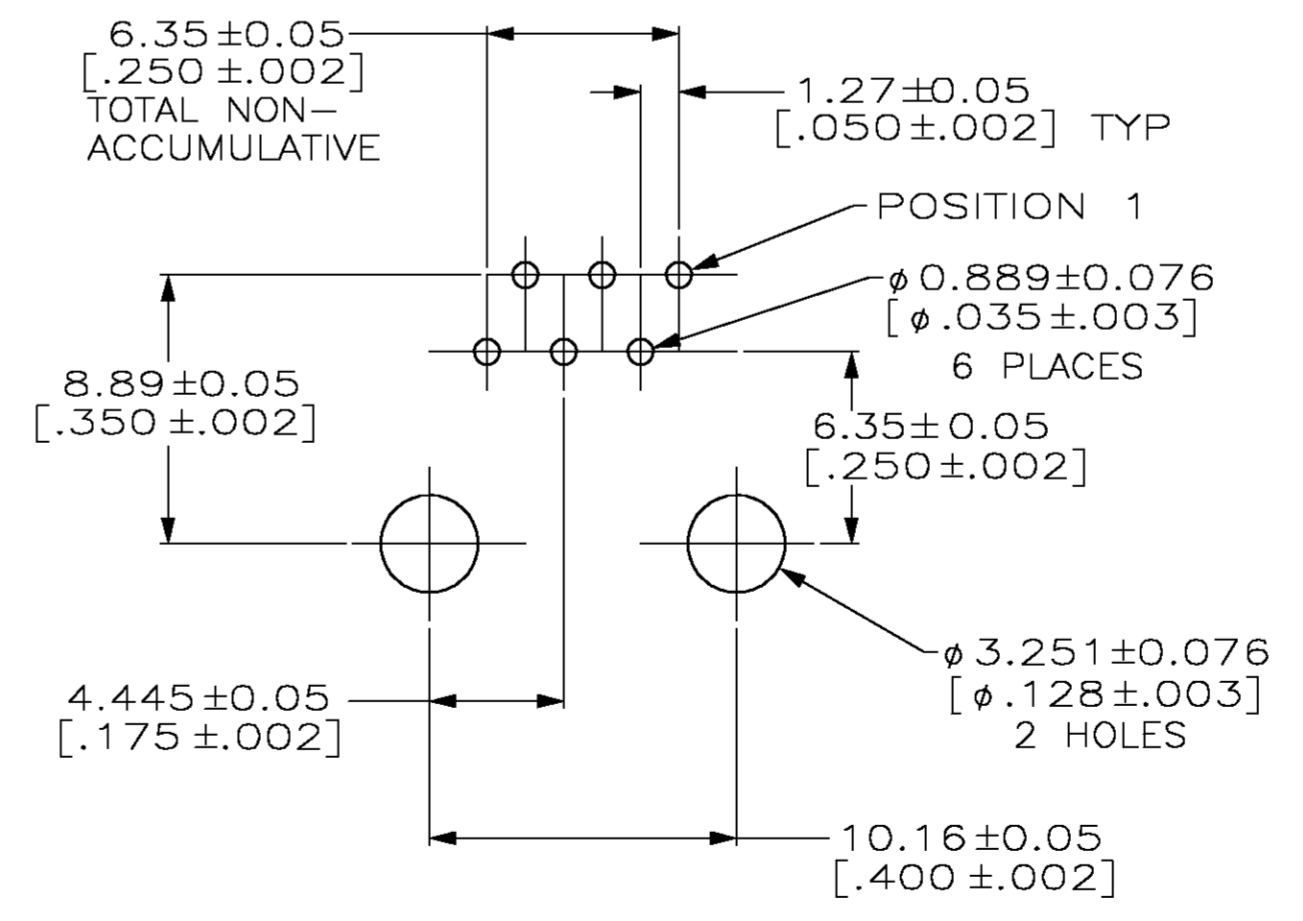
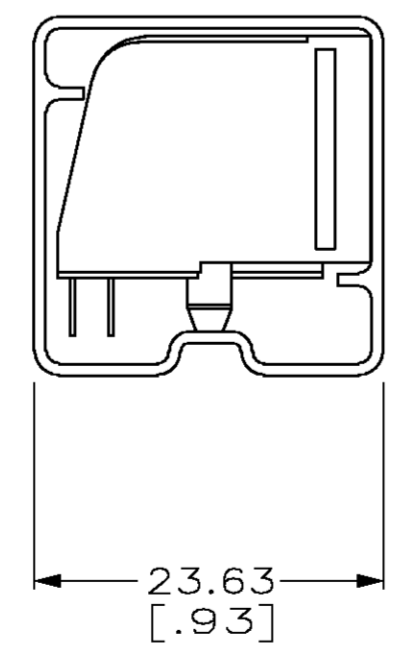
LOC		DIST		REVISIONS			
P	LR	DATE	BY	APPD			
H		19MAR03	DD	BK			



SUGGESTED PANEL CUTOUT  
SCALE 2:1



DETAIL B  
SCALE 2:1



SUGGESTED PC BOARD LAYOUT  
CIRCUIT SIDE SHOWN

- 1 MATERIAL: HOUSING - PBT POLYESTER, SEE TABLE FOR COLOR.  
TERMINAL - 0.35 [.0138] THICK PHOS-BRONZE PLATED WITH 1.27µm [.000050] THICK HARD GOLD IN LOCALIZED GOLD PLATE AREA AND 2.03µm [.000080] THICK TIN-LEAD IN SOLDER AREA OVER 1.27µm [.000050] THICK NICKEL UNDERPLATE.
- 2 ALL DIMENSIONS SHOWN ARE MAXIMUM UNLESS OTHERWISE SPECIFIED.
- 3 BULK PACKAGED IN A TRAY.
- 4 PACKAGED 36 ASSEMBLIES PER TUBE WITH BOTH ENDS CLOSED. SEE DETAIL B.

PACKAGED	COLOR	TERMINALS	PART NUMBER
3	BLACK	6	555003-3
4	GRAY	6	555003-2
3	GRAY	6	555003-1

THIS DRAWING IS A CONTROLLED DOCUMENT.

DIMENSIONS:	TOLERANCES UNLESS OTHERWISE SPECIFIED:	DIN L McEACHIN/UTA 12FEB95	EC LAURER 03MAY95	Tyco Electronics Corporation Harrisburg, PA 17105-3608
MM	0 PLC ± -	0.125 ± 0.002	0.125 ± 0.002	NAME: MODULAR JACK ASSEMBLY, SIDE ENTRY, WITH RIGHT HAND LATCH, 6 POSITION, FLANGELESS, WITH PANEL STOPS
	1 PLC ± -	0.250 ± 0.002	0.250 ± 0.002	PRODUCT SPEC: 108-1163
	2 PLC ± -	0.375 ± 0.002	0.375 ± 0.002	APPLICATION SPEC: 114-2048
	3 PLC ± -	0.500 ± 0.002	0.500 ± 0.002	SIZE: A1
	4 PLC ± -	0.625 ± 0.002	0.625 ± 0.002	SCALE: 4:1
	ANGLES ± -	± 0.002	± 0.002	SHEET: 1 OF 1
MATERIAL	FINISH	WEIGHT	CAGE CODE	REV: H
			00779	
			555003	